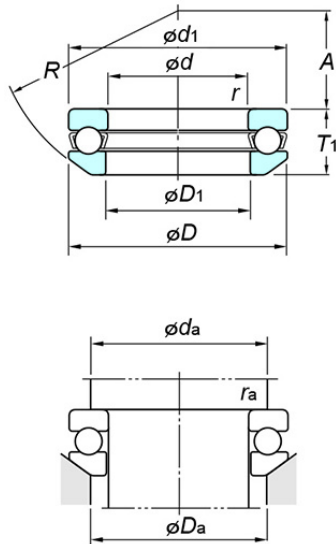


Thrust ball bearings - Single direction - With spherical back face



### Bearing No. 53212

#### Specifications

##### (Boundary dimensions ...etc)

d(mm)	60
D(mm)	95
T(mm)	28
r(min.)(mm)	1
Basic load ratings Ca(kN)	92.0
Basic load ratings C0a(kN)	179
Fatigue load limit : Cu(kN)	8.05
Limiting speeds(Grease lub.)(min-1)	1900
Limiting speeds(Oil lub.)(min-1)	3000
d1(max.)(mm)	95
D1(min.)(mm)	62
D2(mm)	-
D3(mm)	-
A(mm)	32.5
R(mm)	72
C(mm)	-

#### Mounting dimensions

da(min.)(mm)	81
Da(max.)(mm)	74
ra(max.)(mm)	1

#### Refer.

(Refer.)Mass(kg)	0.690
------------------	-------